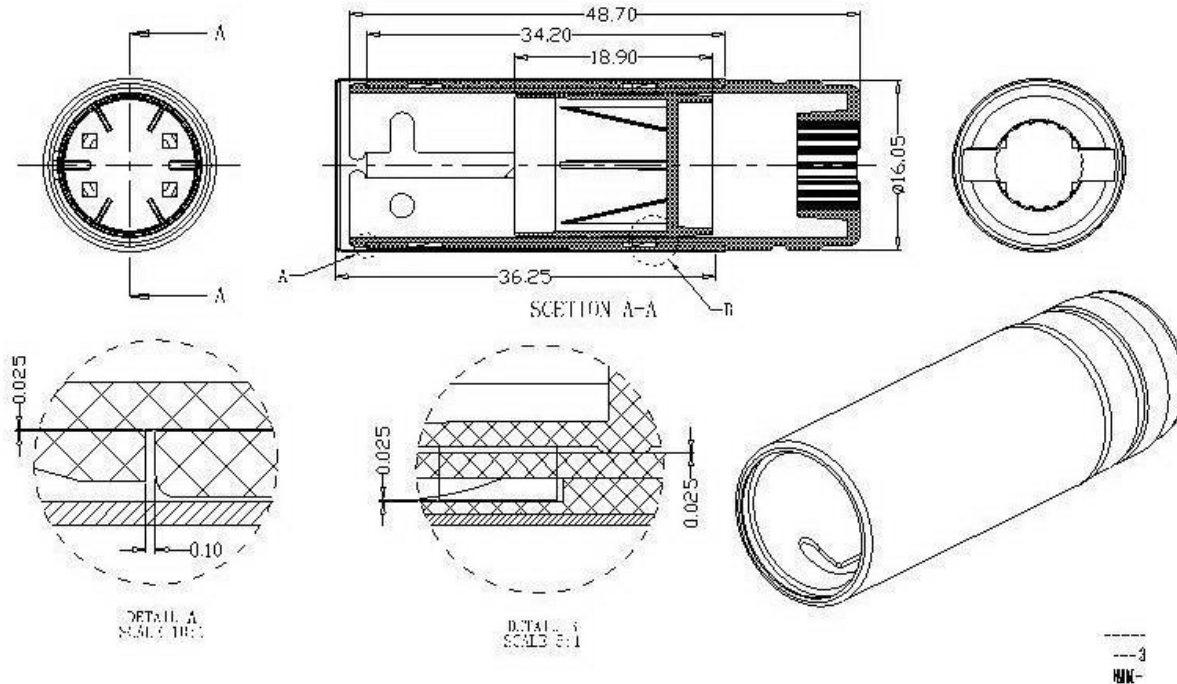


## TECHNICAL DRAWING MECHANISM





**Q 1820**

23 x 24,4 mm - H 75,46 mm  
cup 12,7 mm  
material SAN/ABS + aluminium



**Q 1819**

22,10 x 22,10 mm - H 75,41 mm  
cup size 12,7 mm  
material ABS/SAN



# Make-up packaging

## LIPSTICK



diam. 20,20  
H . 75 mm

**Q 1811**



**B**



**Q 1812**  
diam. 20,8 mm  
H 90,3 mm



**Q 456**

diam 18,6  
H 75,4



**Q 1818**

diam 20.42/18.7  
H 75.9



# Make-up packaging

## LIPSTICK



# Make-up packaging

## LIPSTICK



Q 746  
diam 22,7 x H 70

Q 1323



Q 1360  
diam 21,7 - H 75,5



Q 1362  
diam 21,8 x H 75





# Make-up packaging

**LIDSTICK**



**Q 477**      **Q 458**  
22 x 22 x H 75,2 mm - PMMA material



**Q 507**  
22.3 x 22,3  
H 66,6



**Q 1572**  
diam 21 -  
H 68,8 mm

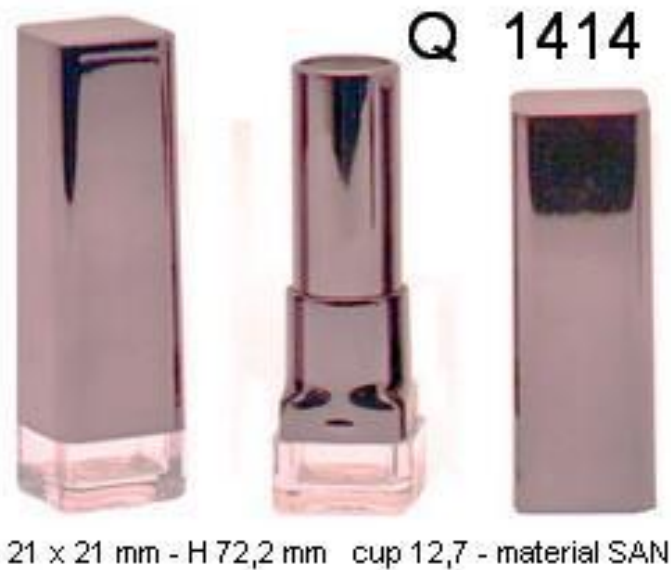


**Q1400**  
diam 20 - H 75



# Make-up packaging

## LIPSTICK





# Make-up packaging

# LIPSTICK



**Q 1810**  
diam 18 x H 74,5  
aluminium



**Q 1862**  
diam 19 x H 65



**Q 1861**  
diam 19 x h  
aluminum coate



**Q 776**  
diam 21 - H 63  
aluminium  
MAGNETIC



**Q 1865**  
diam 22,3 x H 75,9  
aluminium  
magnetic



# Make-up packaging

## LIPSTICK



Q 1880  
size 20,5x20,5 x H 69



Q 1767  
size 22 x 68,7 mm



Q 1859  
size diam 22,4 x H 78,2

Q 1872

size H 88



# Make-up packaging



# Make-up packaging

## STYLO line



**Q 664**  
diam. 14 - H 92,7 mm



**Q 1854alu**  
diam. 16,8 x H 86,4 mm



**Q 1345**  
diam 13,2 – H 117,56 mm



**Q 1346 alu**  
diam. 14,3 – H 116,5 m



**Q 1833**  
diam. 13 x H 129 mm

# Make-up packaging

# STYLO line





# Make-up packaging

## STYLO line



Q 2034



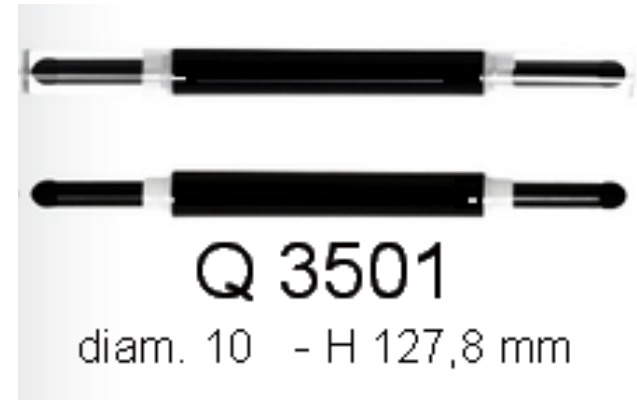
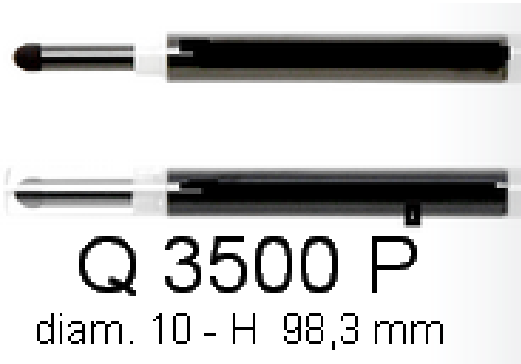
Q 2033

Q 1911  
15 x 15 - H 96,6  
CUP 9,2 x 9,2



# Make-up packaging

# SPRING PEN



**Q 1268**  
click-pen ml 6



**Q 1712**  
diam 16 -  
H 118 mm









La collezione degli **STICK CAMOUFLAGE** la trovi nel gruppo dei prodotti **SKINCARE**

La collection **STICK CAMOUFLAGE** peut être consultée dans le groupe de produits **SKINCARE**

The **STICK CAMOUFLAGE** collection can be found in the **SKINCARE** product group